

QUICK-RELEASE COUPLING

ISO-A coupling

ISO 7241-1A

**VC-ISO-A**



powerful · precise · guaranteed

  
**ValCon**<sup>®</sup>  
QUALITY HYDRAULICS

## QUICK-RELEASE COUPLING

ISO-A coupling

ISO 7241-1A

### VC-ISO-A



Male



Female



### Advantages

- High energy efficiency with low pressure drop and high flow rate due to flow-optimised construction.
- High corrosion resistance due to high-quality galvanised surfaces (chrome 6 free).
- An additional backup ring protects the seal from being washed out.
- Durability due to use of high-quality materials and components as well as of highly stressed areas.
- Reliable functionality due to precisely adjusted valve spring forces — also in combination with products of other manufacturers.
- Prevention of hose torsion due to movement possibility in coupled position.

### Main fields of application



**Tip!** In order to identify the ValCon® quick-release coupling series, it is recommended to use the plug diameter.

### Interchangeability

- Parker / 6600
- Stucchi / BIR
- Faster / ANV
- DNP / PAV1

### Scope of delivery

- Thread protection

**Coupling mechanism:**  
Connecting and disconnecting by pulling back the sleeve.

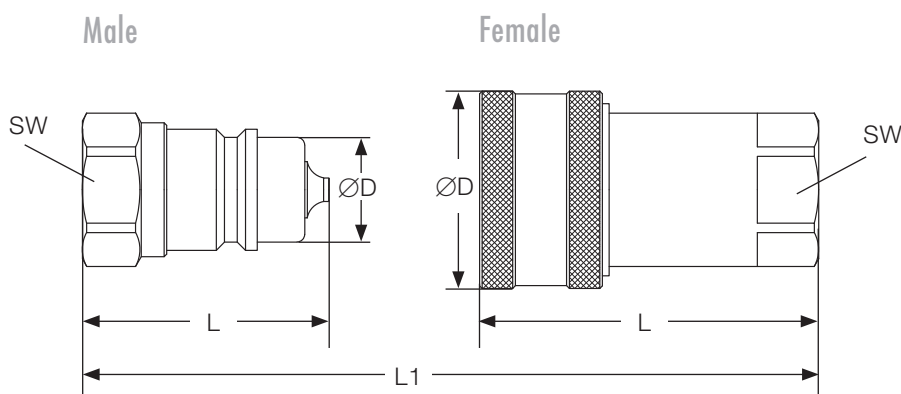
\*Subject to technical modifications

### Technical data

**Material:**  
Housing: High grade steel  
Seal: NBR  
Backup ring: PTFE

**Surface:**  
Material: Chrome 3 Plus, zinc coated  
White rust resistance: 200 h  
Red rust resistance: 400 h

**Temperature range:**  
-20 °C to +100 °C



Type	Size		Connection		Dimension				
	Inch	DN	Form of thread	Thread	Length L (mm)	Length coupled L <sub>1</sub> (mm)	Diameter ØD (mm)	Hexagon SW (mm)	Article Number
Female	1/4"	6	female	1/4" BSP	50	71	26,0	19	VC-ISO-A-IG1/4-06M
	3/8"	10	female	3/8" BSP	56	75	31,5	22	VC-ISO-A-IG3/8-10M
	1/2"	12	female	1/2" BSP	66	88	38,5	27	VC-ISO-A-IG1/2-12M
	3/4"	20	female	3/4" BSP	80	110	48,0	34	VC-ISO-A-IG3/4-20M
	1"	25	female	1" BSP	94	120	56,0	41	VC-ISO-A-IG1-25M
Male	1/4"	6	female	1/4" BSP	35,5	71	11,9	19	VC-ISO-A-IG1/4-06S
	3/8"	10	female	3/8" BSP	36,5	75	17,2	22	VC-ISO-A-IG3/8-10S
	1/2"	12	female	1/2" BSP	43,5	88	20,6	27	VC-ISO-A-IG1/2-12S
	3/4"	20	female	3/4" BSP	57,0	110	29,1	35	VC-ISO-A-IG3/4-20S
	1"	25	female	1" BSP	59,5	120	34,3	41	VC-ISO-A-IG1-25S

### Performance data

Size	Working pressure	Flow rate at a pressure drop of 2 bar	Burst pressure		
			Male	Female	Coupled
Inch	(bar)	(l/min)	(bar)	(bar)	(bar)
1/4"	350	8	1.400	1.400	1.400
3/8"	300	28	1.200	1.200	1.200
1/2"	300	50	1.200	1.200	1.200
3/4"	250	100	1.000	1.000	1.000
1"	250	180	1.000	1.000	1.000

### Accessories



	Article Number
Dust protection for male coupling (plastic) for 1/2" (DN12) according to ISO 7241-1A	VC-PP-DP-RO-S
Dust protection for female coupling (plastic) for 1/2" (DN12) according to ISO 7241-1A	VC-PP-DP-RO-M
Socket for 1/2" (DN12) male coupling according to ISO 7241-1A	VC-PP-DS

### Tip!

- 1/2" male coupling is compatible with the VC-PP and VC-NV series.
- ValCon® quick-release couplings always ensure a **security factor** (ratio of burst pressure to working pressure) of at least **4-fold safety!**

## VALCON QUALITY HYDRAULICS

ValCon® stands for high-quality hydraulic products in original equipment quality for a worldwide use. Precision, reliability and high-quality processing are special trademarks of ValCon®.

ValCon® products are developed and tested in collaboration with customers from the original equipment sector and international trade.

The result: An outstanding orientation on praxis.

A comprehensive quality assurance guarantees maximum reliability for ValCon® products.

ValCon® Quality Hydraulics – powerful, precise, guaranteed.



Management System  
ISO 9001:2008

www.tuv.com  
ID 9105030851

**powerful · precise · guaranteed**

  
**ValCon®**  
QUALITY HYDRAULICS

**V&G**  
V&G Hydrauliek