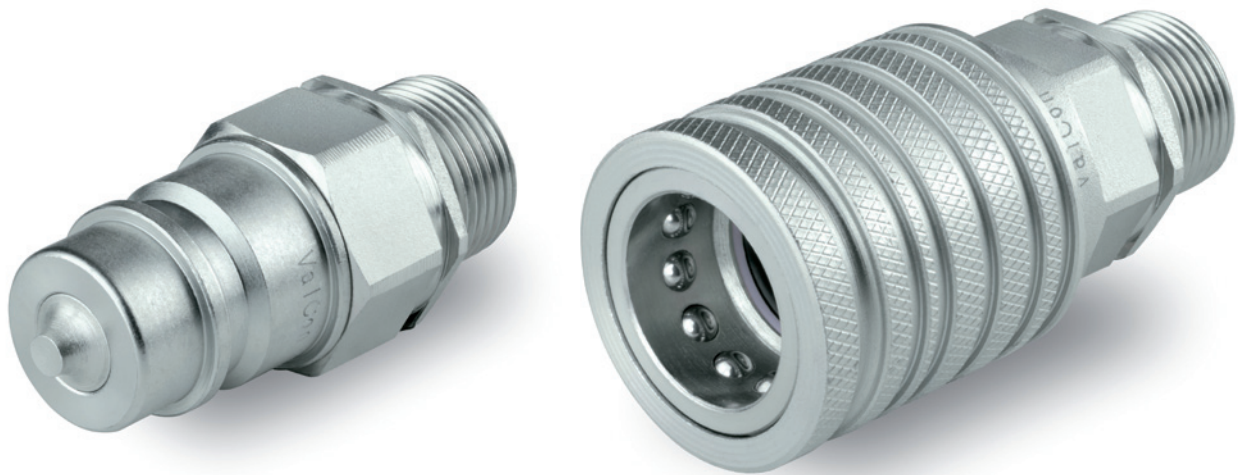


QUICK-RELEASE COUPLING

Push-pull coupling with breakaway function
ISO 7241-1A; breakaway function ISO 5675

VC-PP



powerful · precise · guaranteed


ValCon[®]
QUALITY HYDRAULICS

QUICK-RELEASE COUPLING

Push-pull coupling with breakaway function

ISO 7241-1A; breakaway function ISO 5675

VC-PP



Male



Female



Advantages

- An additional backup ring protects the seal from being washed out.
- Long-term guarantee of the coupling mechanism by means of a „closed“ sleeve avoiding the entry of dirt.
- High corrosion resistance due to high-quality galvanised surface (chrome 6 free).
- High safety and durability due to optimised ball locking with increased number of hardened balls and separate hardening of the grid slot.
- Reliable functionality due to precisely adjusted valve spring forces – also in combination with products of other manufacturers.
- High energy efficiency with low pressure drop and high flow rate due to flow-optimised construction.

Main fields of application



Tip! In order to identify the ValCon® quick-release coupling series, it is recommended to use the male coupling diameter.

Interchangeability

- Parker / 4250
- Voswinkel / HP
- DNP / PPV, PPS
- Faster / CPV, CNV
- Stucchi / IRS-V

Coupling mechanism:

Connecting and disconnecting by pulling back or pushing the sleeve (push-pull system) including breakaway function.

**Subject to technical modifications*

Technical data

Material:

Housing: High grade steel
 Seal: NBR
 Backup ring: PTFE

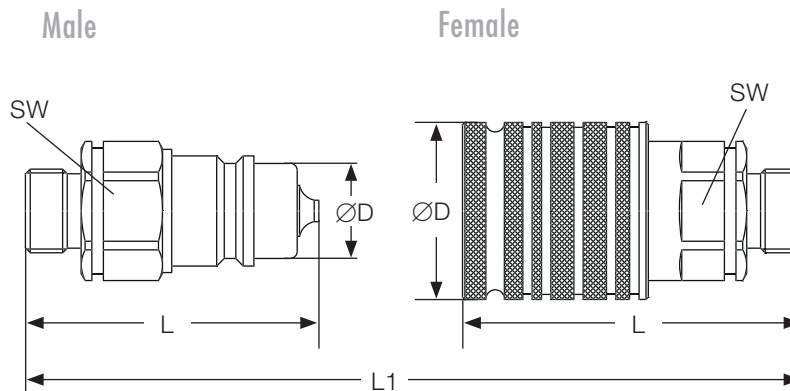
Surface:

Material: Chrome 3 Plus, zinc coated

White rust resistance: 200 h
 Red rust resistance: 400 h

Temperature range:

-20 °C to +100 °C



Type	Size		Connection			Dimension				
	Inch	DN	Form of thread	Thread	Pipe-Ø (mm)	Length L (mm)	Length coupled L ₁ (mm)	Diameter ØD (mm)	Hexagon SW (mm)	Article Number
Female	1/2"	12	female	1/2" BSP	-	66	105,5	38	27	VC-PP-IG1/2BSP-12M
	1/2"	12	male	M 16 x 1,5	10L	73	110,0	38	27	VC-PP-CEL10-12M
	1/2"	12	male	M 18 x 1,5	12L	73	110,0	38	27	VC-PP-CEL12-12M
	1/2"	12	male	M 22 x 1,5	15L	75	114,0	38	27	VC-PP-CEL15-12M
Male	1/2"	12	female	1/2" BSP	-	44,0	105,5	20,6	27	VC-PP-IG1/2BSP-12S
	1/2"	12	male	M 16 x 1,5	10L	58,5	110,0	20,6	27	VC-PP-CEL10-12S
	1/2"	12	male	M 18 x 1,5	12L	58,5	110,0	20,6	27	VC-PP-CEL12-12S
	1/2"	12	male	M 22 x 1,5	15L	60,5	114,0	20,6	27	VC-PP-CEL15-12S

Performance data

Size	Working pressure	Flow rate at a pressure drop of 2 bar	Burst pressure		
			Male	Female	Coupled
Inch	(bar)	(l/min)	(bar)	(bar)	(bar)
1/2"	300	50	1.200	1.200	1.200

Accessories



	Article Number
Dust protection for male coupling (plastic) for 1/2" (DN12) according to ISO 7241-1A	VC-PP-DP-RO-S
Dust protection for female coupling (plastic) for 1/2" (DN12) according to ISO 7241-1A	VC-PP-DP-RO-M
Socket for 1/2" (DN12) male coupling according to ISO 7241-1A	VC-PP-DS

Tipp!

- 1/2" male coupling is compatible with the VC-NV and VC-ISO-A series.
- ValCon® quick-release couplings always ensure a **security factor** (ratio of burst pressure to working pressure) of at least **4-fold safety!**

Scope of delivery

- Thread protection

VALCON QUALITY HYDRAULICS

ValCon® stands for high-quality hydraulic products in original equipment quality for a worldwide use. Precision, reliability and high-quality processing are special trademarks of ValCon®.

ValCon® products are developed and tested in collaboration with customers from the original equipment sector and international trade.

The result: An outstanding orientation on praxis.

A comprehensive quality assurance guarantees maximum reliability for ValCon® products.

ValCon® Quality Hydraulics – powerful, precise, guaranteed.



Management System
ISO 9001:2008

www.tuv.com
ID 9105030851

powerful · precise · guaranteed


ValCon®
QUALITY HYDRAULICS

V&G
V&G Hydrauliek