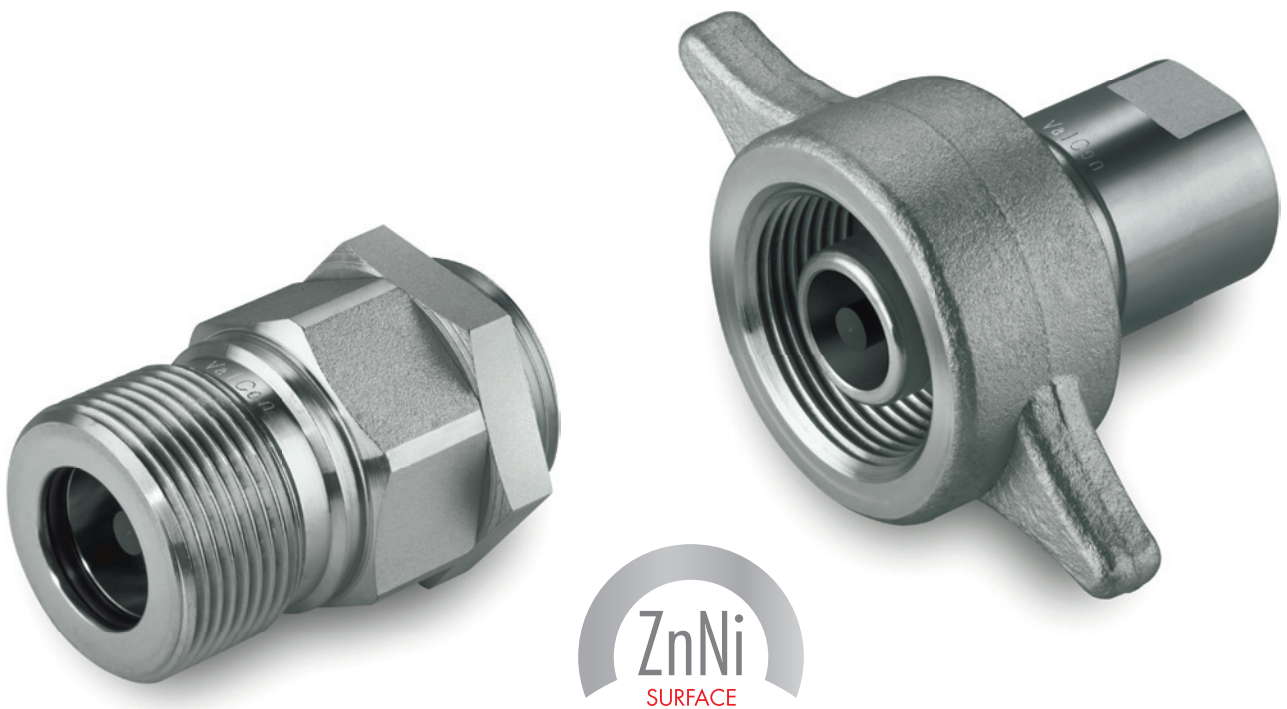


SCREW-TO-CONNECT COUPLING

Wing nut coupling

VC-ED



powerful · precise · guaranteed



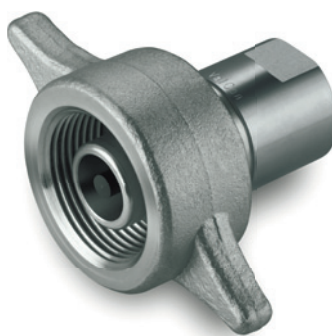
SCREW-TO-CONNECT COUPLING

Wing nut coupling

VC-ED



Female



Male



Advantages

- Outstanding corrosion resistance due to high-quality zinc-nickel surface.
- High energy efficiency with low pressure drop and high flow rate due to flow-optimised construction.
- Durability due to use of high-quality materials and components as well as hardening of highly stressed areas.
- High robustness due to wing nuts made of steel (not of brass).
- User-friendly operation due to compact wing nut.
- Versatile application due to guaranteed compatibility with the models of all renowned manufacturers.

Main fields of application



Interchangeability

■ **Faster** / CVE

■ **Edbro**

■ **Holmbury** / CVR

■ **EATON** / W46000

Coupling mechanism:
Connecting and disconnecting by screwing and unscrewing male and female coupling.

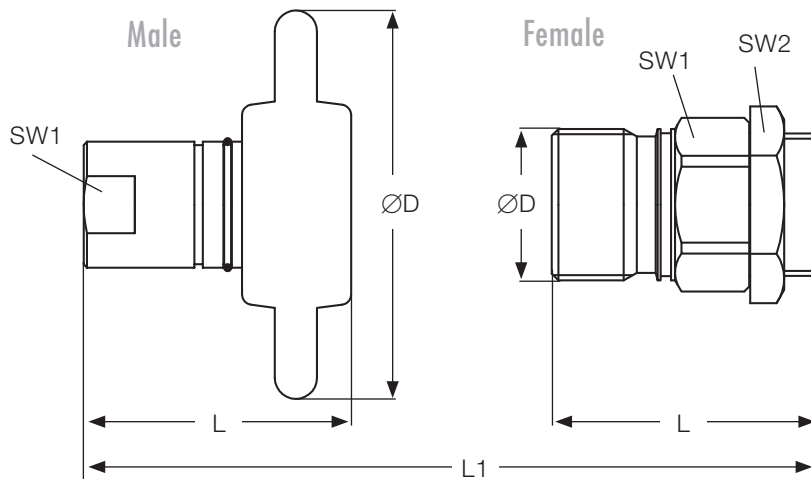
*Subject to technical modifications

Technical data

Material:
Housing: High grade steel
Seal: NBR
Backup ring: PTFE

Surface:
Material: Zinc-nickel
White rust resistance: 500 h
Red rust resistance: 800 h

Temperature range:
-20 °C to +100 °C



Type	Size		Connection		Dimension					Article Number
	Inch	DN	Form of thread	Thread	Length L (mm)	Length coupled L ₁ (mm)	Diameter Ø D (mm)	Hexagon SW ₁ /SW ₂ (mm)		
Female	3/4"	20	female	3/4" BSP	78,1	128,2	44,2	46/50	VC-ED12BSP20M	
	1"	25	female	1" BSP	83,0	145,0	53,2	55/60	VC-ED16BSP25M	
Male	3/4"	20	female	3/4" BSP	78,5	128,5	115	33	VC-ED12BSP20S	
	1"	25	female	1" BSP	81,5	145,0	115	40	VC-ED16BSP25S	

Performance data

Size	Working pressure	Flow rate at a pressure drop of 2 bar	Burst pressure		
			Male	Female	Coupled
Inch	(bar)	(l/min)	(bar)	(bar)	(bar)
3/4"	360	106	1.100	1.300	1.300
1"	300	189	1.200	900	1.300

Accessories



	Size	Article Number
Dust protection for male coupling connector (aluminium)	3/4"	VC-ED12DP-S
Dust protection for male coupling connector (aluminium)	1"	VC-ED16DP-S
Dust protection for female coupling (aluminium)	3/4"	VC-ED12DP-M
Dust protection for female coupling (aluminium)	1"	VC-ED16DP-M

Tip! ValCon® screw-to-connect couplings always ensure a **security factor** (ratio of burst pressure to operating pressure) of at least **3-fold safety!**

Scope of delivery

- Thread protection



VALCON QUALITY HYDRAULICS

ValCon® stands for high-quality hydraulic products in original equipment quality for a worldwide use. Precision, reliability and high-quality processing are special trademarks of ValCon®.

ValCon® products are developed and tested in collaboration with customers from the original equipment sector and international trade.

The result: An outstanding orientation on praxis.

A comprehensive quality assurance guarantees maximum reliability for ValCon® products.

ValCon® Quality Hydraulics – powerful, precise, guaranteed.



Management System
ISO 9001:2008

www.tuv.com
ID 9105030851

powerful · precise · guaranteed


ValCon®
QUALITY HYDRAULICS

V&G
V&G Hydrauliek