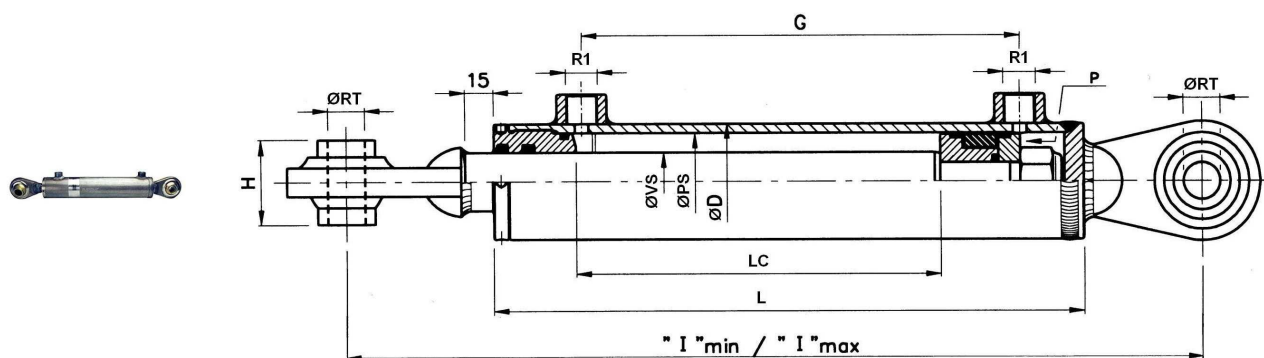


Connection third hydraulic point without double pilot operated valve

Agricultural ball-and-socket



Max.pressure: 200 bar

Part n°	R1	Kg/100 bar	Piston rod	ØPS	Stroke (mm)	ØRT	ØD	G	H	I	L
DECC3050160CR19	3/8" BSP	1960	30	50 H9	160	19,4	60	198	44	410 / 570	177
DECC3050210CR19	3/8" BSP	1960	30	50 H9	210	19,4	60	248	44	460 / 670	327
DECC3050280CR19	3/8" BSP	1960	30	50 H9	280	19,4	60	318	44	530 / 810	397
DECC3050400CR19	3/8" BSP	1960	30	50 H9	400	19,4	60	438	44	650 / 1050	517
DECC3050160CR25	3/8" BSP	1960	30	50 H9	160	25,4	60	198	51	420 / 580	277
DECC3050210CR25	3/8" BSP	1960	30	50 H9	210	25,4	60	248	51	470 / 680	327
DECC3050280CR25	3/8" BSP	1960	30	50 H9	280	25,4	60	318	51	540 / 820	397
DECC3050400CR25	3/8" BSP	1960	30	50 H9	400	25,4	60	438	51	660 / 1060	517
DECC3565160CR25	3/8" BSP	3310	35	65 H9	160	25,4	75	199	51	440 / 600	286
DECC3565210CR25	3/8" BSP	3310	35	65 H9	210	25,4	75	249	51	490 / 700	336
DECC3565280CR25	3/8" BSP	3310	35	65 H9	280	25,4	75	319	51	560 / 840	406
DECC3565400CR25	3/8" BSP	3310	35	65 H9	400	25,4	75	439	51	680 / 1080	526
DECC4080160CR25	3/8" BSP	5020	40	80 H9	160	25,4	92	210	51	480 / 640	312
DECC4080210CR25	3/8" BSP	5020	40	80 H9	210	25,4	92	260	51	530 / 740	362
DECC4080280CR25	3/8" BSP	5020	40	80 H9	280	25,4	92	330	51	600 / 880	432
DECC4080400CR25	3/8" BSP	5020	40	80 H9	400	25,4	92	450	51	720 / 1120	552

Diameter converter from Ø25 to Ø19 available.